

# PAR 280



## TAM OTOMATİK TESTERE TEZGAHI FULL AUTOMATIC BANDSAW MACHINE



**MALZEME SIKMA SİSTEMİ**  
MATERIAL CLAMPING SYSTEM



**KUMANDA PANELİ**  
CONTROL PANEL



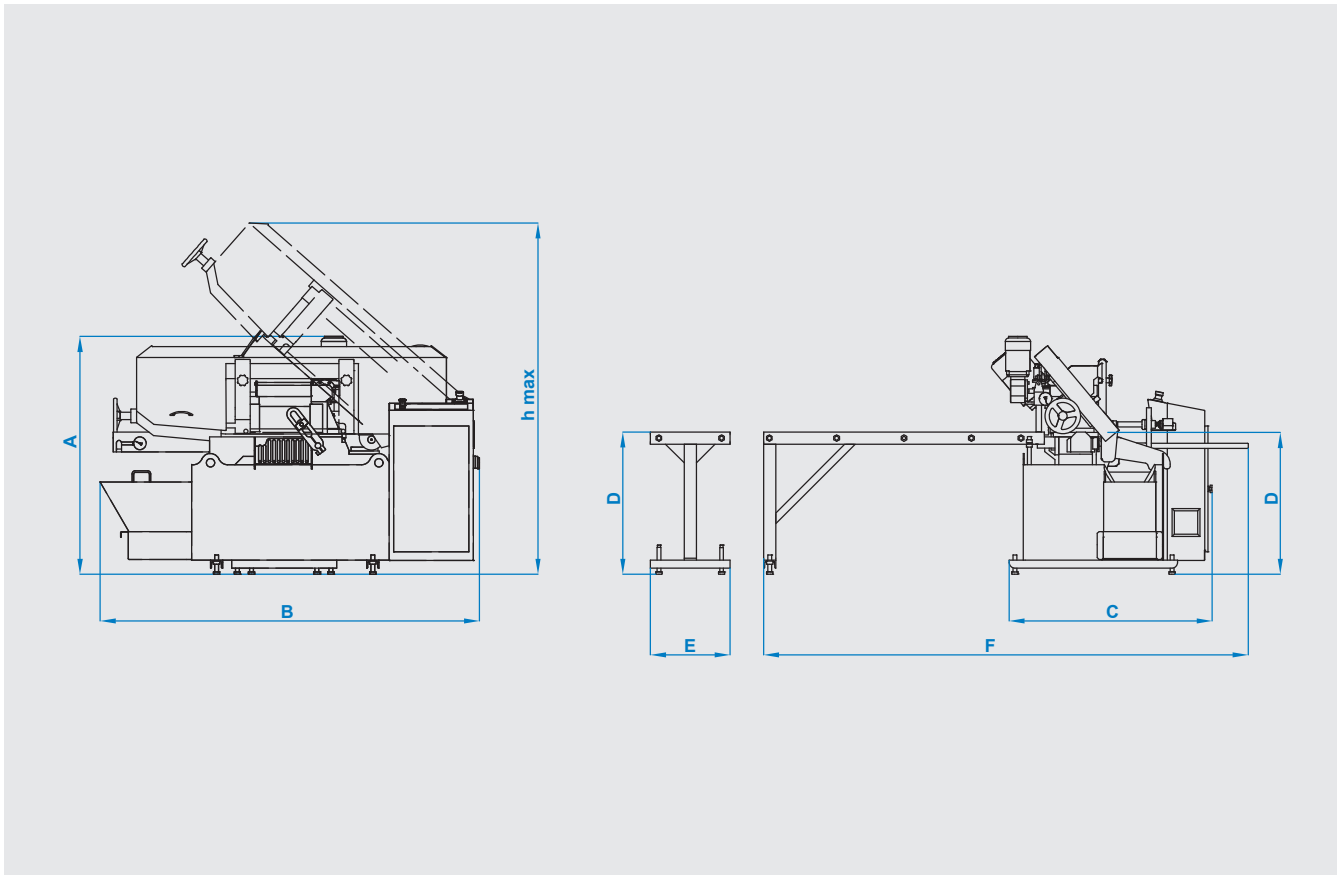
**MENGENE SİSTEMİ**  
CLAMPING SYSTEM



**MALZEME SÜRME SİSTEMİ**  
MATERIAL FEEDING SYSTEM

## ÖLÇÜLER DIMENSIONS

## MAFSALLI MODELLER PIVOT TYPES



## TEKNİK ÖZELLİKLER / TECHNICAL FEATURES

A	1235 mm 48.62 inch	B	2030 mm 79.92 inch	C	1180 mm 46.46 inch	D	725 mm 28.54 inch	E	425 mm 16.73 inch	F	2590 mm 101.97 inch	hmax	1880 mm 74.02 inch
---	-----------------------	---	-----------------------	---	-----------------------	---	----------------------	---	----------------------	---	------------------------	------	-----------------------

Otomatik Automatic	Şerit Ölçüsü Blade Dimension 27 x 0.9 x 3670 mm 1 x 0.035 x 144.5 inch	Şerit Motoru Blade Motor 1.5 kW - 1500 d/d 2 hp - 1500 rpm	Sürücü Motor Feeding Motor 0.25 kW - 1500 d/d 0.33 hp - 1500 rpm
Hidrolik Motor Hydraulic Pump Motor 0.75 kW - 1400 d/dk 1 hp - 1400 rpm	Soğutucu Motor Cooling Liquid Motor 0.12 kW - 3000 d/dk 0.16 hp - 3000 rpm	Voltaj Voltage 400 V 400 V	Maksimum Güç Maximum Power 2.62 kW 3.51 hp
Kesme Hızı Cutting Speed 15 m/dk - 100 m/dk 130 m/dk - 426 ft/min	Ağırlık Weight 620 kg 1367 lbs	Malzeme Sıkma Sistemi Material Clamping System Hidrolik Hydraulic	Şerit Germe Sistemi Blade Tensioning System Hidromekanik Hydramechanic

Kesim Kapasitesi Cutting Capacity 280 mm 11.02 inch	Kesim Kapasitesi Cutting Capacity 290 mm 11.42 inch	mm inch	60°	45°	30°	0°	90°	45°	60°
●	■	■	■	■	■	■	■	■	■
280 mm 11.02 inch	290 mm 11.42 inch	280 mm 11.02 inch	250 x 250 mm 9.84 x 9.84 inch	150 x 290 mm 5.91 x 11.42 inch					