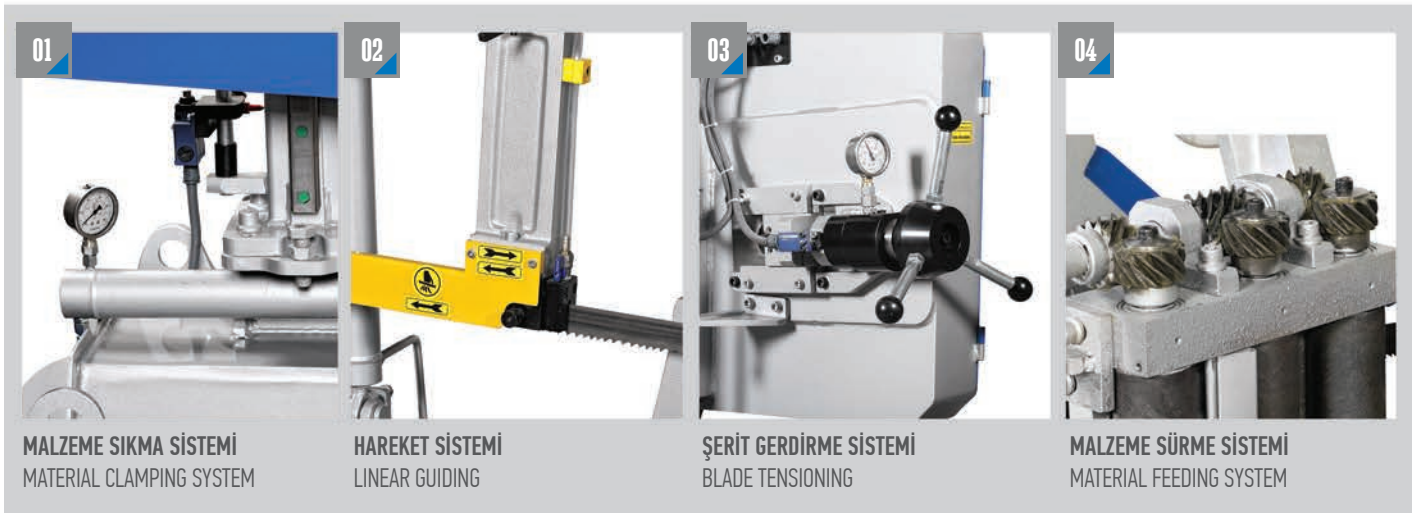


# CAR 400

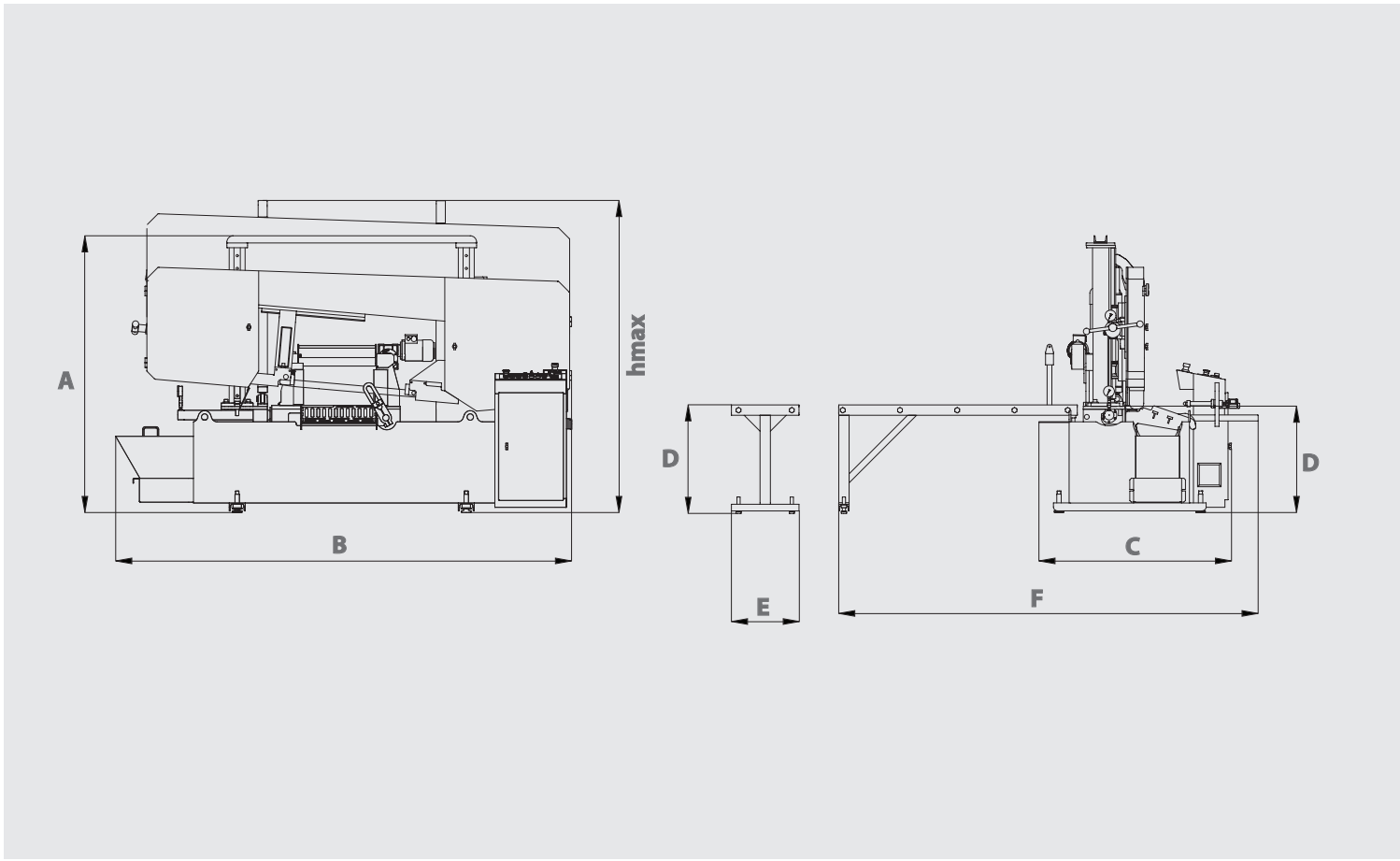


## TAM OTOMATİK HİDROLİK SÜTUNLU TESTERE TEZGAHI FULL AUTOMATIC DOUBLE COLUMN HYDRAULIC BANDSAW MACHINE



## ÖLÇÜLER DIMENSIONS

## SÜTUNLU MODELLER DOUBLE COLUMN TYPES



## TEKNİK ÖZELLİKLER TECHNICAL FEATURES

A	1740 mm 68.50 inch	B	2870 mm 112.99 inch	C	1376 mm 54.17 inch	D	670 mm 26.38 inch	E	425 mm 16.73 inch	F	2640 mm 103.94 inch	hmax	1965 mm 77.36 inch
---	-----------------------	---	------------------------	---	-----------------------	---	----------------------	---	----------------------	---	------------------------	------	-----------------------

Otomatik Automatic	Şerit Ölçüsü Blade Dimension 41 x 1.3 x 5715 mm 1 1/2 x 0.050 x 225 inch	Şerit Motoru Blade Motor 4 kW - 1000d/dk 5.36 hp - 1000 rpm	Sürücü Motor Feeding Motor 0.37 kW - 925 d/dk 0.49 hp - 925 d/dk
Hidrolik Motor Hydraulic Pump Motor 0.37 kW - 1500 d/dk 0.5 hp - 1500 rpm	Soğutucu Motor Cooling Liquid Motor 0.12 kW - 3000d/dk 0.16 hp - 3000 rpm	Voltaj Voltage 400 V 400 V	Maksimum Güç Maximum Power 4.74 kW 6.35 hp
Kesme Hızı Cutting Speed 15 m/dk - 49 ft/min 100 m/dk - 328 ft/min	Ağırlık Weight 1250 kg 2755 lbs	Malzeme Sıkma Sistemi Material Clamping System Hidrolik Hydraulic	Şerit Germe Sistemi Blade Tensioning System Hidromekanik Hydramechanic

Kesim Kapasitesi Cutting Capacity 400 mm 15.75 inch	Kesim Kapasitesi Cutting Capacity 440 mm 17.32 inch	90°	60°	45°	30°	0°	106°	145°	60°
						400 mm 15.75 inch 400 x 400 mm 15.75 x 15.75 inch 400 x 450 mm 15.75 x 17.72 inch			