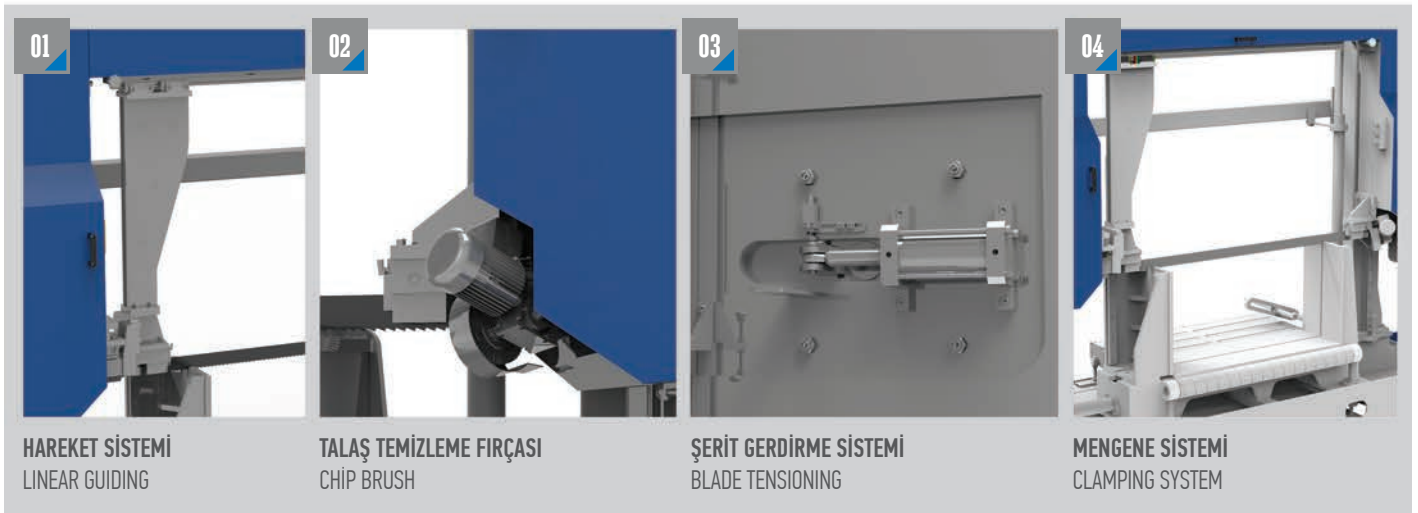


# CSM 1200 / 1300

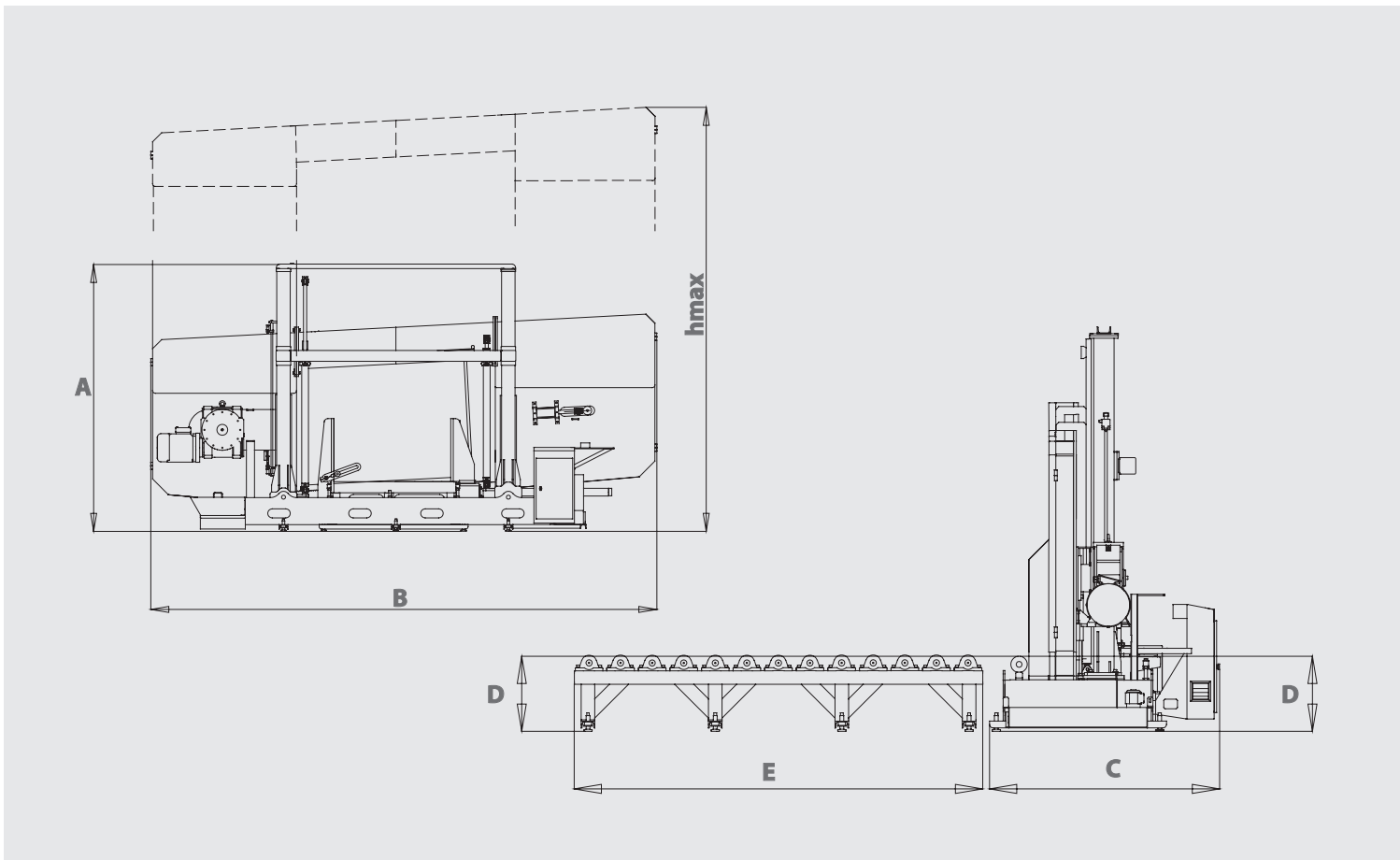


## YARI OTOMATİK HİDROLİK SÜTUNLU TESTERE TEZGAHI SEMI AUTOMATIC DOUBLE COLUMN HYDRAULIC BANDSAW MACHINE



## ÖLÇÜLER DIMENSIONS

## SÜTUNLU MODELLER DOUBLE COLUMN TYPES



## TEKNİK ÖZELLİKLER TECHNICAL FEATURES

A	3000 mm 118.11 inch	B	5625 mm 221.46 inch	C	1690 mm 66.54 inch	D	525 mm 20.67 inch	E	3000 mm 118.11 inch	hmax	3725 mm 146.65 inch
---	------------------------	---	------------------------	---	-----------------------	---	----------------------	---	------------------------	------	------------------------

Yarı Otomatik Semi Automatic	Şerit Ölçüsü Blade Dimension 67 x 1.6 x 12450 mm 2.5/8 x 0.063 x 490.1 inch	Şerit Motoru Blade Motor 7.5 kW - 1500 d/dk 10 hp - 1500 rpm	Talaş Fırçası M. Chip Brush M. 0.09 kW - 1500 d/dk 0.12 hp - 1500 rpm
Hidrolik Motor Hydraulic Pump Motor 3 kW - 1500 d/dk 4 hp - 1500 rpm	Soğutucu Motor Cooling Liquid Motor 0.12 kW - 3000 d/dk 0.16 hp - 3000 rpm	Voltaj Voltage 400 V 400 V	Maksimum Güç Maximum Power 10.71 kW 14.36 hp
Kesme Hızı Cutting Speed 15 m/dk - 49 ft/min 100 m/dk - 328 ft/min	Ağırlık Weight 7000 kg 15432 lbs	Malzeme Sıkma Sistemi Material Clamping System Hidrolik Hydraulic	Şerit Germe Sistemi Blade Tensioning System Hidromekanik Hydramechanic

90°	60°	45°	30°	0°	10°	45°	60°
Kesim Kapasitesi Cutting Capacity	Kesim Kapasitesi Cutting Capacity	●	■	■	■	■	■
1200 mm 47.24 inch	1300 mm 51.18 inch				1200 mm 47.24 inch	1200 x 1200 mm 47.24 x 47.24 inch	1200 x 1300 mm 47.24 x 51.18 inch