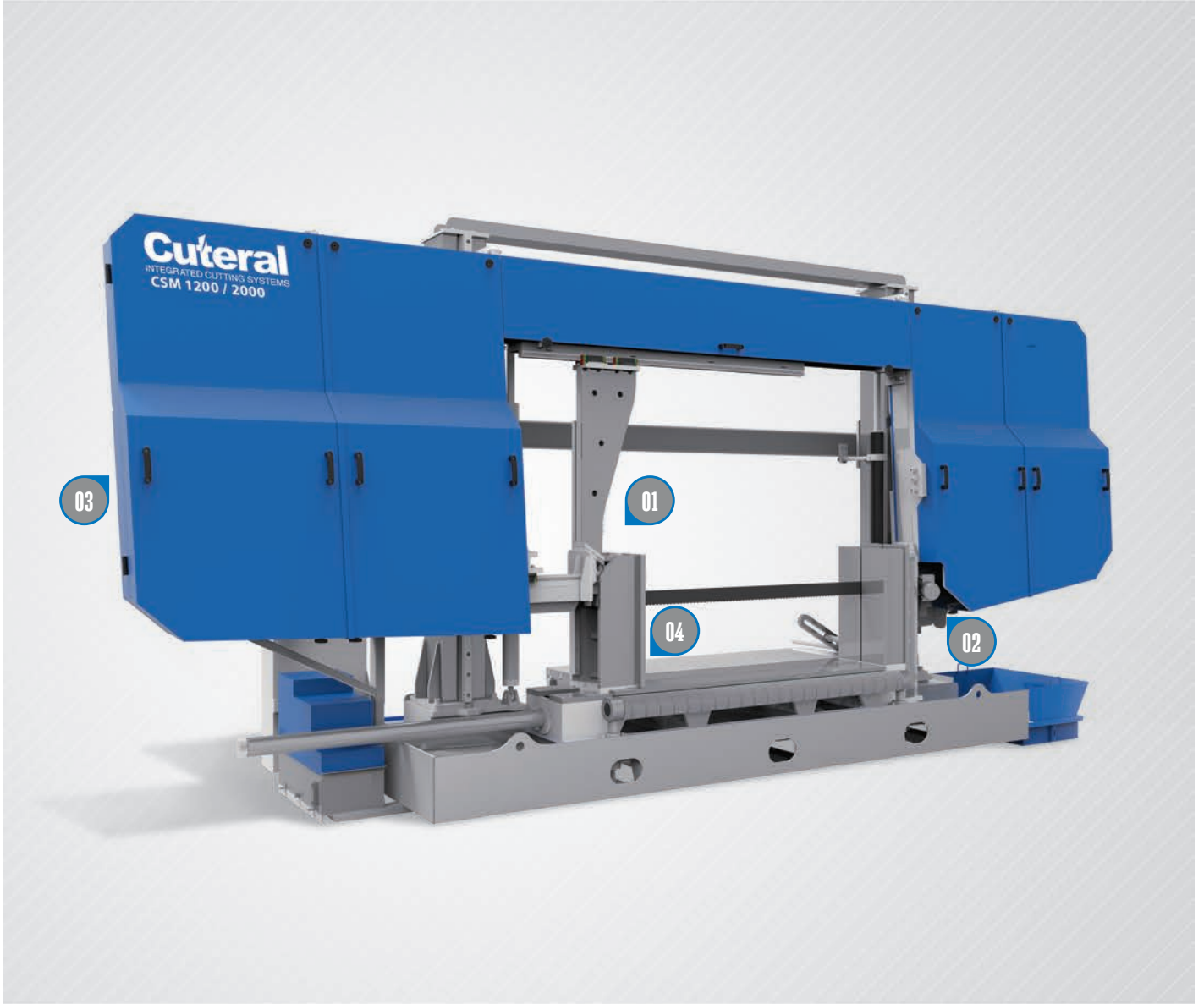
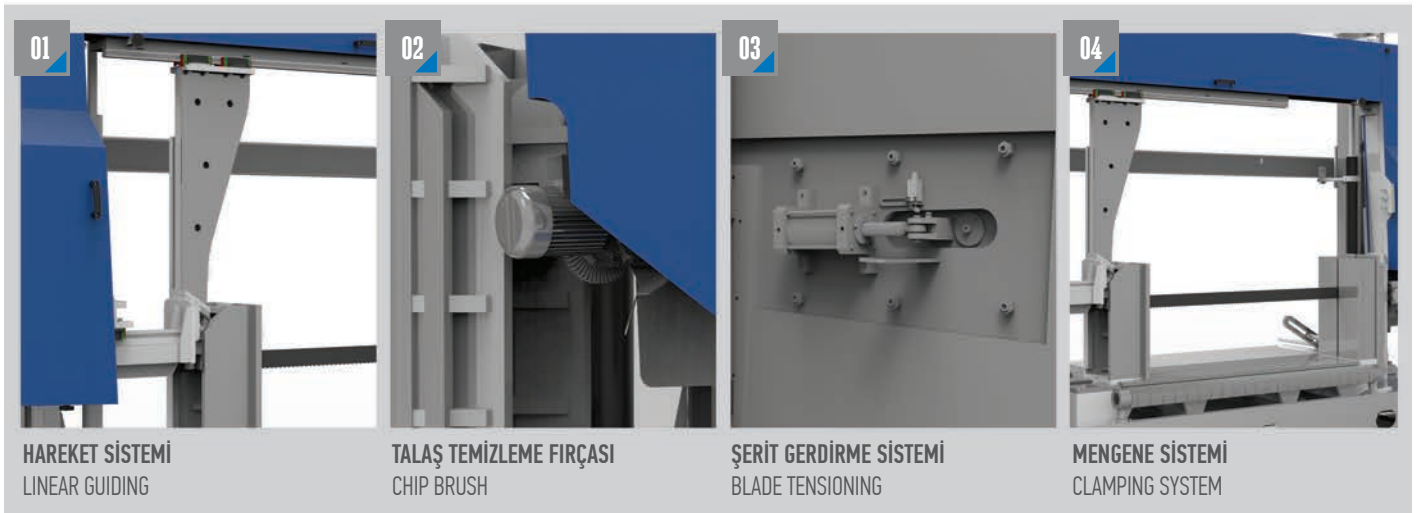


CSM 1200 / 2000

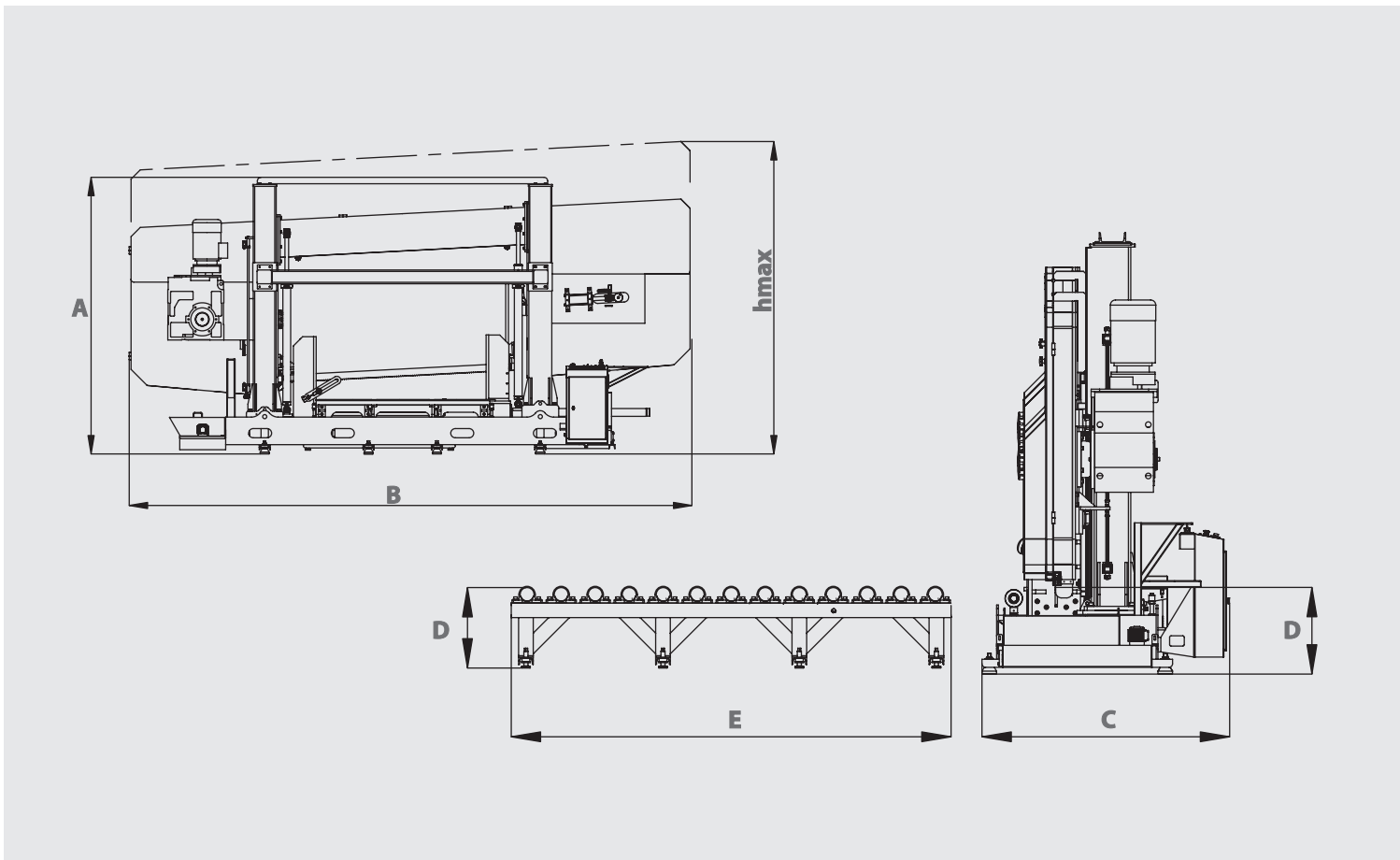


YARI OTOMATİK HİDROLİK SÜTUNLU TESTERE TEZGAHI SEMI AUTOMATIC DOUBLE COLUMN HYDRAULIC BANDSAW MACHINE



ÖLÇÜLER DIMENSIONS

SÜTUNLU MODELLER DOUBLE COLUMN TYPES



TEKNİK ÖZELLİKLER TECHNICAL FEATURES

A	3015 mm 118.70 inch	B	6125 mm 241.14 inch	C	1690 mm 66.54 inch	D	591 mm 23.27 inch	E	3000 mm 118.11 inch	hmax	3765 mm 148.23 inch
---	------------------------	---	------------------------	---	-----------------------	---	----------------------	---	------------------------	------	------------------------

	Yarı Otomatik Semi Automatic		Şerit Ölçüsü Blade Dimension 80 x 1.6 x 13460 mm 3 x 0.063 x 529.92 inch		Şerit Motoru Blade Motor 11 kW - 1500 d/dk 14.75 hp - 1500 rpm		Talaş Fırçası M. Chip Brush M. 0.09 kW - 1500 d/dk 0.12hp - 1500 rpm
	Hidrolik Motor Hydraulic Pump Motor 3 kW - 1500 d/dk 4 hp - 1500 rpm		Soğutucu Motor Cooling Liquid Motor 0.37 kW - 3000 d/dk 0.49 hp - 3000 rpm		Voltaj Voltage 400 V 400 V		Maksimum Güç Maximum Power 14.46 kW 19.39 hp
	Kesme Hızı Cutting Speed 15 m/dk - 49 ft/min 60 m/dk - 196 ft/min		Ağırlık Weight 8750 kg 19290 lbs		Malzeme Sıkma Sistemi Material Clamping System Hidrolik Hydraulic		Şerit Germe Sistemi Blade Tensioning System Hidrolik Hydraulic

	Kesim Kapasitesi Cutting Capacity		Kesim Kapasitesi Cutting Capacity								
1200 mm 47.24 inch	2000 mm 78.74 inch	1200 mm 47.24 inch	1200 x 1200 mm 47.24 x 47.24 inch	60°	45°	30°	0°	90°	135°	60°	