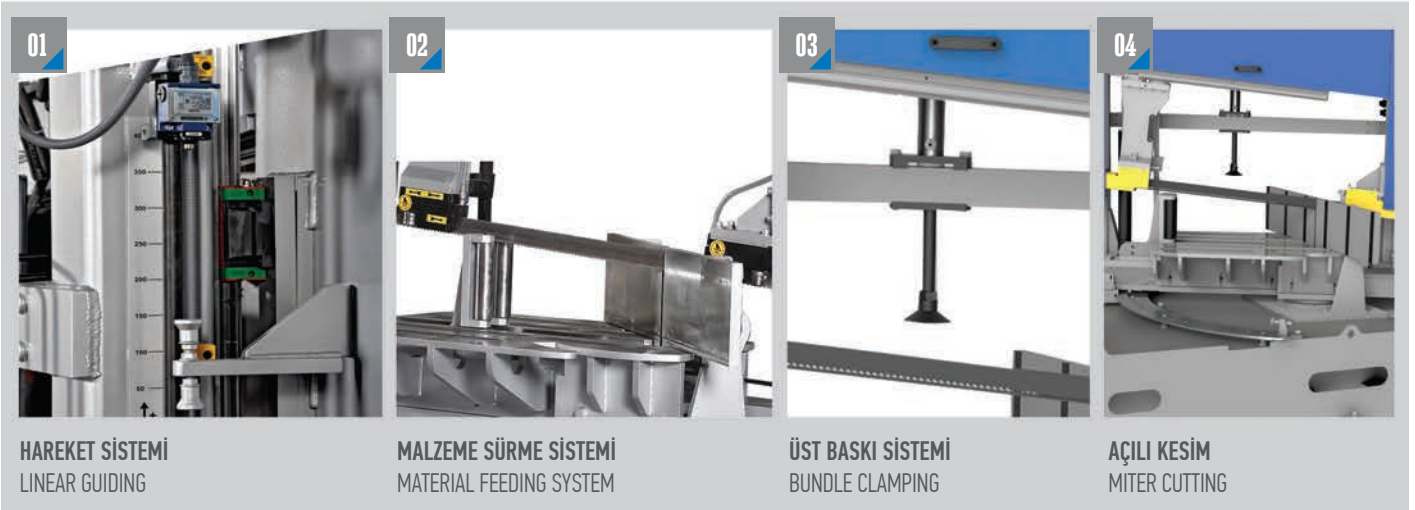


CSM 400 / 800 DM

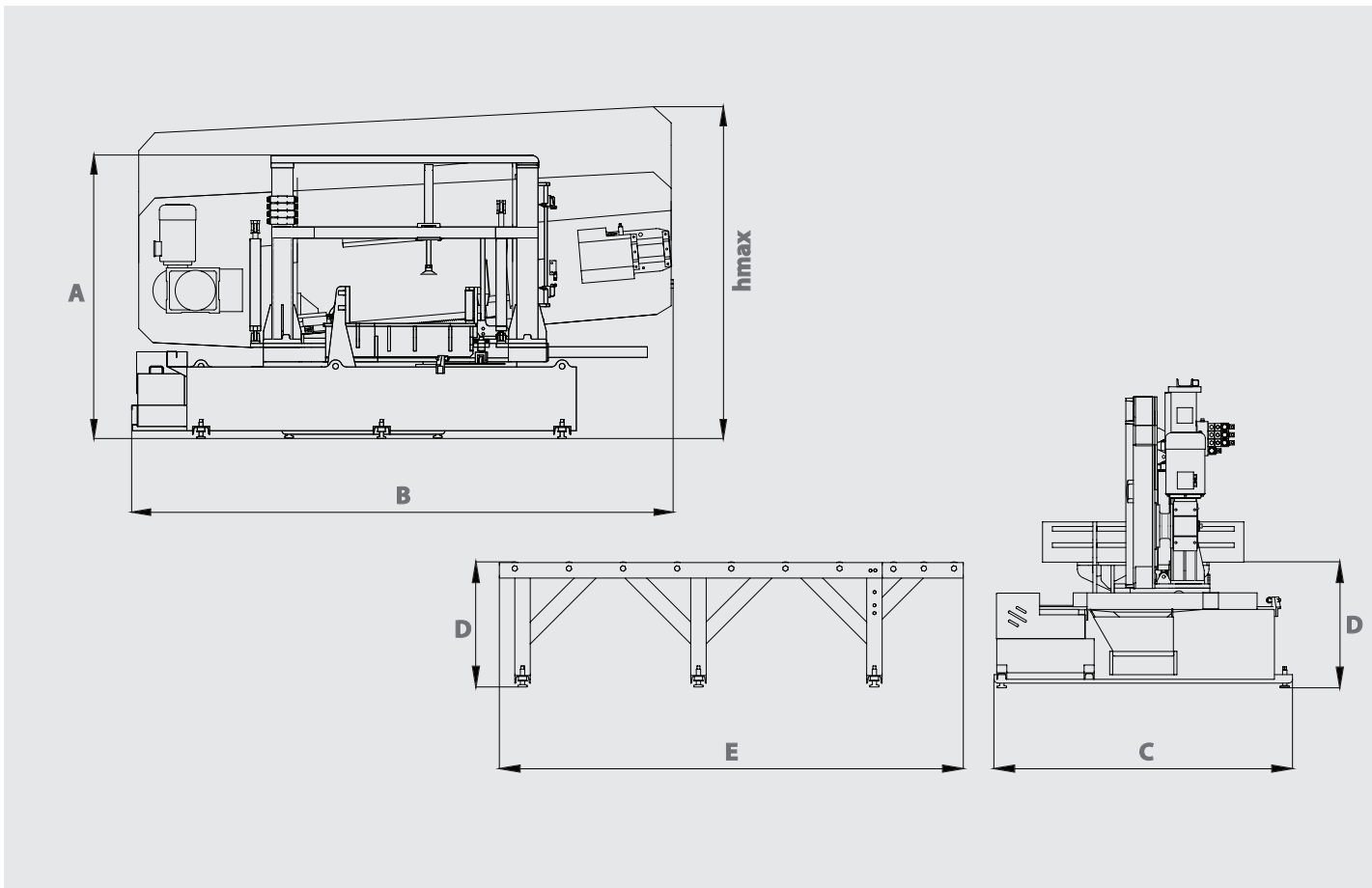


YARI OTOMATİK ÇİFT YÖN AÇILI HİDROLİK SÜTUNLU TESTERE TEZGAHI DOUBLE MITER SEMI AUTOMATIC DOUBLE COLUMN HYDRAULIC BANDSAW MACHINE



ÖLÇÜLER DIMENSIONS

SÜTUNLU MODELLER DOUBLE COLUMN TYPES



TEKNİK ÖZELLİKLER TECHNICAL FEATURES

A	2000 mm 78.74 inch	B	3825 mm 150.59 inch	C	1930 mm 75.98 inch	D	815 mm 32.09 inch	E	3000 mm 118.11 inch	hmax	2350 mm 92.52 inch
---	-----------------------	---	------------------------	---	-----------------------	---	----------------------	---	------------------------	------	-----------------------

Yarı Otomatik Semi Automatic	Şerit Ölçüsü Blade Dimension 54 x 1.6 x 8130 mm 2 x 0.063 x 320 inch	kW Şerit Motoru Blade Motor 4 kW - 1000d/dk 5.36 hp - 1000 rpm	kW Sürücü Motor Feeding Motor Manuel Manual
kW OIL Hidrolik Motor Hydraulic Pump Motor 1.1 kW - 1500 d/dk 1.48 hp - 1500 rpm	kW H ₂ O Soğutucu Motor Cooling Liquid Motor 0.12 kW - 3000 d/dk 0.16 hp - 3000 rpm	Voltaj Voltage 400 V 400 V	Maksimum Güç Maximum Power 5.22 kW 7 hp
Kesme Hızı Cutting Speed 15 m/dk - 49 ft/min 100 m/dk - 328 ft/min	KG LBS Ağırlık Weight 3750 kg 8267 lbs	Malzeme Sıkma Sistemi Material Clamping System Hidrolik Hydraulic	Şerit Germe Sistemi Blade Tensioning System Hidromekanik Hydromechanic

90°	60°	45°	30°	0°	10°	45°	60°
Kesim Kapasitesi Cutting Capacity	Kesim Kapasitesi Cutting Capacity	400 mm 15.75 inch	400 mm 15.75 inch	400 mm 15.75 inch	400 mm 15.75 inch	400 mm 15.75 inch	400 mm 15.75 inch
400 mm 15.75 inch	800 mm 31.50 inch	400 x 400 mm 15.75 x 15.75 inch	400 x 400 mm 15.75 x 15.75 inch	400 x 400 mm 15.75 x 15.75 inch	400 x 400 mm 15.75 x 15.75 inch	400 x 400 mm 15.75 x 15.75 inch	400 x 400 mm 15.75 x 15.75 inch
		400 x 500 mm 15.75 x 19.69 inch	400 x 655 mm 15.75 x 25.79 inch	400 x 800 mm 15.75 x 31.50 inch	400 x 655 mm 15.75 x 25.79 inch	400 x 500 mm 15.75 x 19.69 inch	