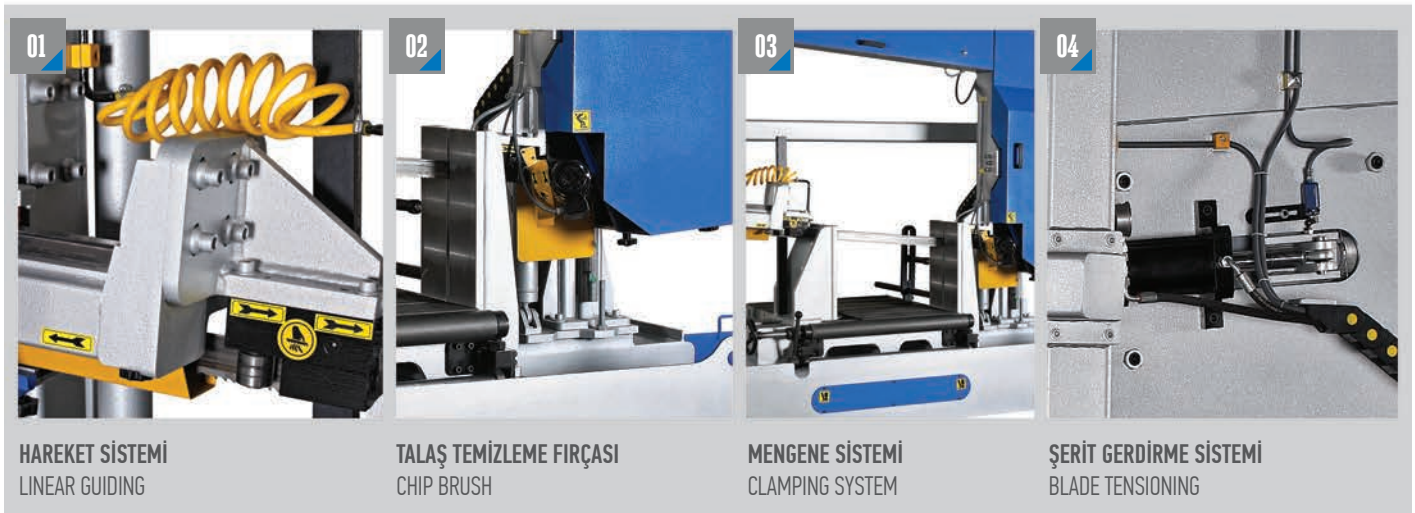


# CSM 800 / 900

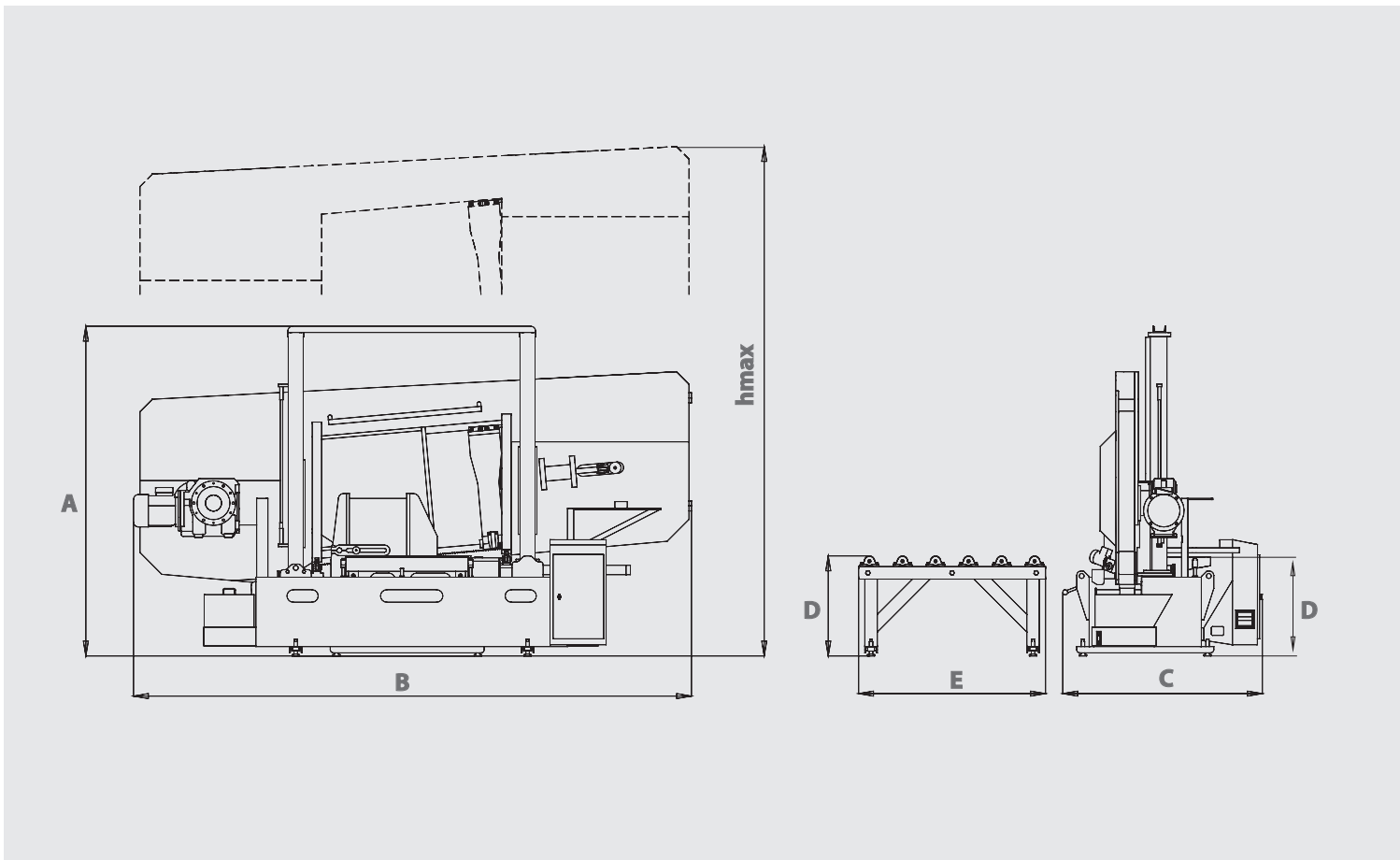


## YARI OTOMATİK HİDROLİK SÜTUNLU TESTERE TEZGAHI SEMI AUTOMATIC DOUBLE COLUMN HYDRAULIC BANDSAW MACHINE



## ÖLÇÜLER DIMENSIONS

## SÜTUNLU MODELLER DOUBLE COLUMN TYPES



## TEKNİK ÖZELLİKLER TECHNICAL FEATURES

A	2440 mm 96.06 inch	B	4406 mm 173.46 inch	C	1570 mm 61.81 inch	D	610 mm 24.02 inch	E	1500 mm 59.06 inch	hmax	2990 mm 117.72 inch
---	-----------------------	---	------------------------	---	-----------------------	---	----------------------	---	-----------------------	------	------------------------

	Yarı Otomatik Semi Automatic		Şerit Ölçüsü Blade Dimension 54 x 1.6 x 9800 mm 2.126 x 0.062 x 385.8 inch		Şerit Motoru Blade Motor 5.5 kW - 1500d/dk 7.3 hp - 1500 rpm		Sürücü Motor Feeding Motor Manual Manual
	Hidrolik Motor Hydraulic Pump Motor 3 kW - 1500 d/dk 4 hp - 1500 rpm		Soğutucu Motor Cooling Liquid Motor 0.12 kW - 3000 d/dk 0.16 hp - 3000 rpm		Voltaj Voltage 400 V 400 V		Maksimum Güç Maximum Power 8.71 kW 11.68 hp
	Kesme Hızı Cutting Speed 15 m/dk - 49 ft/min 100 m/dk - 328 ft/min		Ağırlık Weight 3200 kg 7054 lbs		Talaş Fırçası M. Chip Brush M. 0.09 kW - 1500 d/dk 0.12 hp - 1500 rpm		Şerit Germe Sistemi Blade Tensioning System Hidrolik Hydraulic

	90°		mm inch								
Kesim Kapasitesi Cutting Capacity	Kesim Kapasitesi Cutting Capacity										
800 mm 31.50 inch	900 mm 35.43 inch										